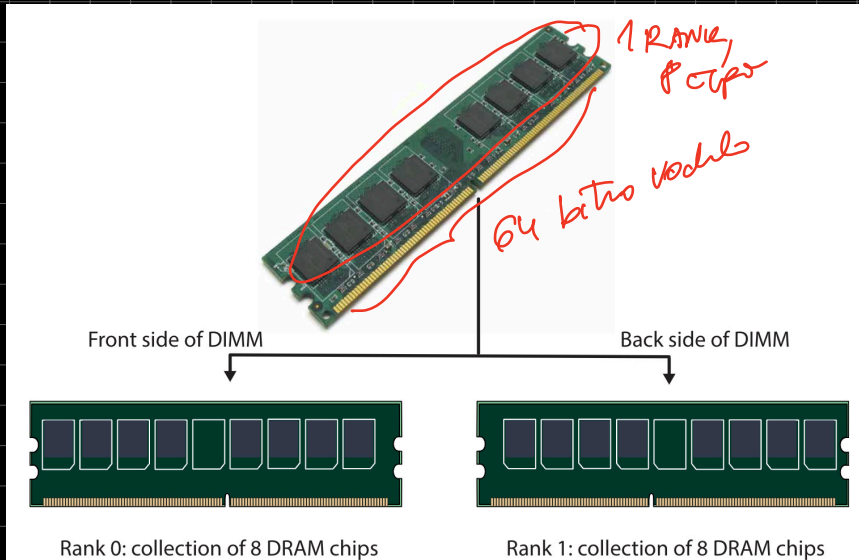


↙
 - 2 rade (CS0-n, CS1-n) } 1 pam. modul
 - 8 cip / rade
 - 64 bitno podrobno vodilo (DQ0 - DQ63)

1 pam. modul = 16 DDr SDRAM cipov, 8 cip / rade, 2 nevoj, 64-bitno pod. vodilo



DIMM (Dual In-line Memory Module)

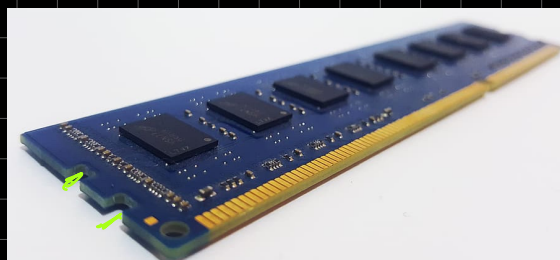
Generation		Chip		Data bus		Timings	DIMM			
DRAM	DRAM name	Clock (Mhz)	Prefetch	Clock (MHz)	MT/s	CL-tRCD-tRP	t _{CL} (ns)	MB/s	Voltage	DIMM name
DDR	DDR-266	133		133	266			2128		PC-2100
DDR	DDR-300	150	2N	150	300	2.5-3-3	18.8	2400	2.5	PC-2400
DDR	<u>DDR-400</u>	200		<u>200</u>	<u>400</u>	3-3-3	15	3200		PC-3200
DDR2	DDR2-533	133		266	533	4-4-4		4264		PC2-4300
DDR2	DDR2-667	166	4N	333	667	5-5-5	15	5336	1.8	PC2-5300
DDR2	DDR2-800	200		400	800	6-6-6		6400		PC2-6400
DDR3	DDR3-1066	133		533	1066	7-7-7	13.12	8528		PC3-8500
DDR3	DDR3-1333	166	8N	666	1333	9-9-9	13.5	10664	1.5	PC3-10700
DDR3	DDR3-1600	200		800	1600	11-11-11	13.75	12800		PC3-12800
DDR4	DDR4-2400	<u>300</u>		1200	2400	18-18-18	13.5	19200		PC4-19200
DDR4	DDR4-2666	333	8N	1333	2666	20-20-20	13.6	21333	1.2	PC4-21333
DDR4	<u>DDR4-3200</u>	<u>400</u>		<u>1600</u>	<u>3200</u>	<u>22-22-22</u>	<u>13.75</u>	25600		<u>PC4-25600</u>

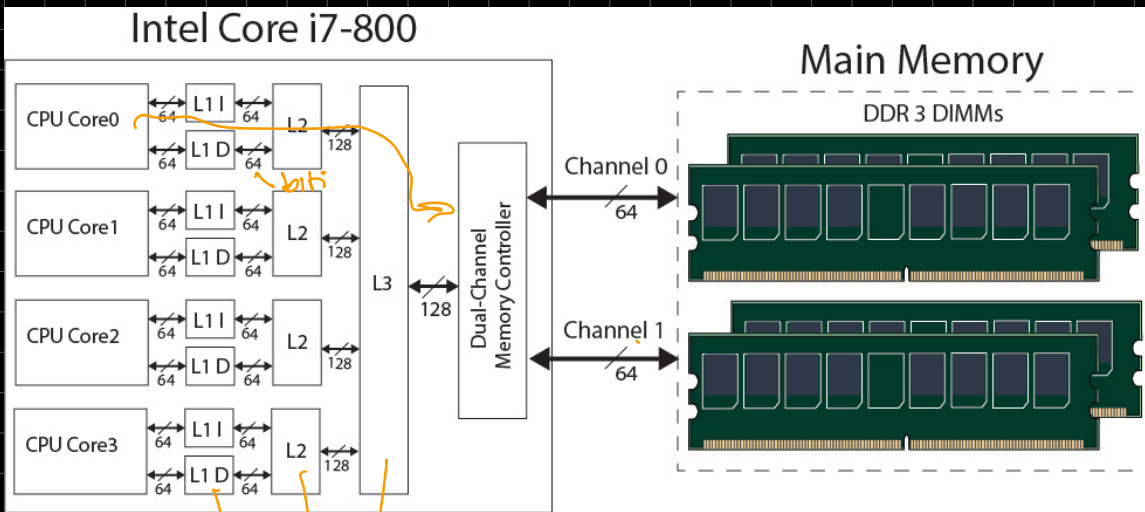
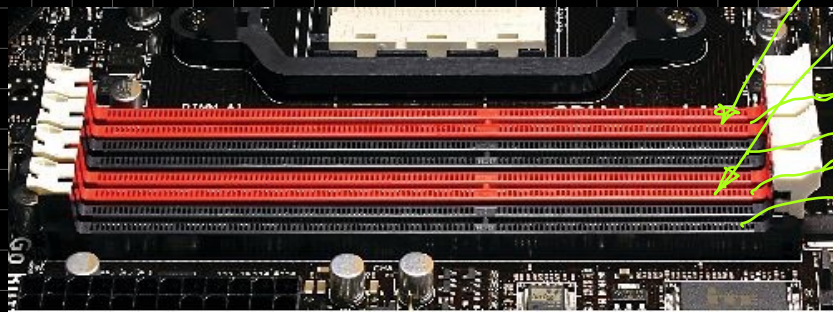
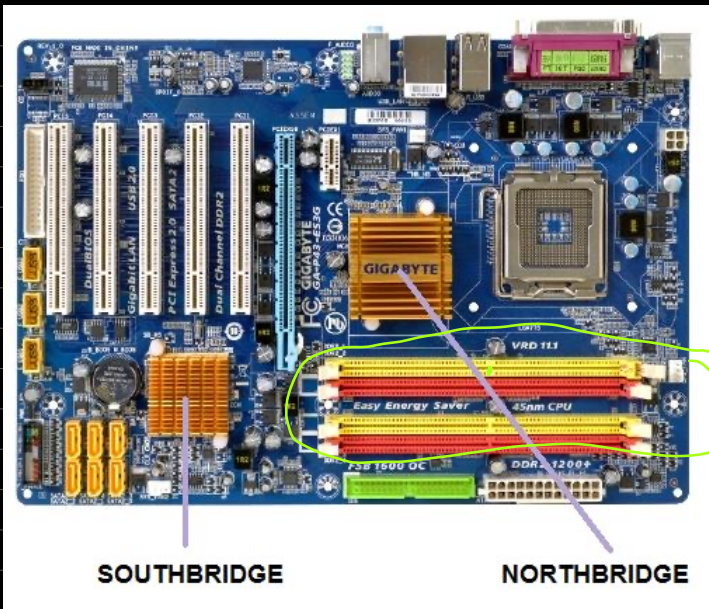
DDR5

16N

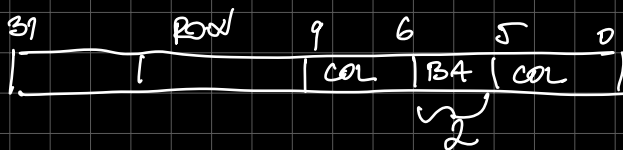
1.9V

25.6 GT/s





Block size = 64 B



NAVIDEKO NABLAUJANIS

